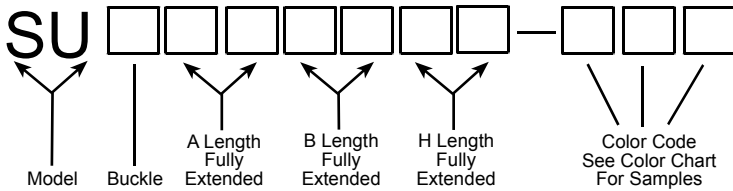
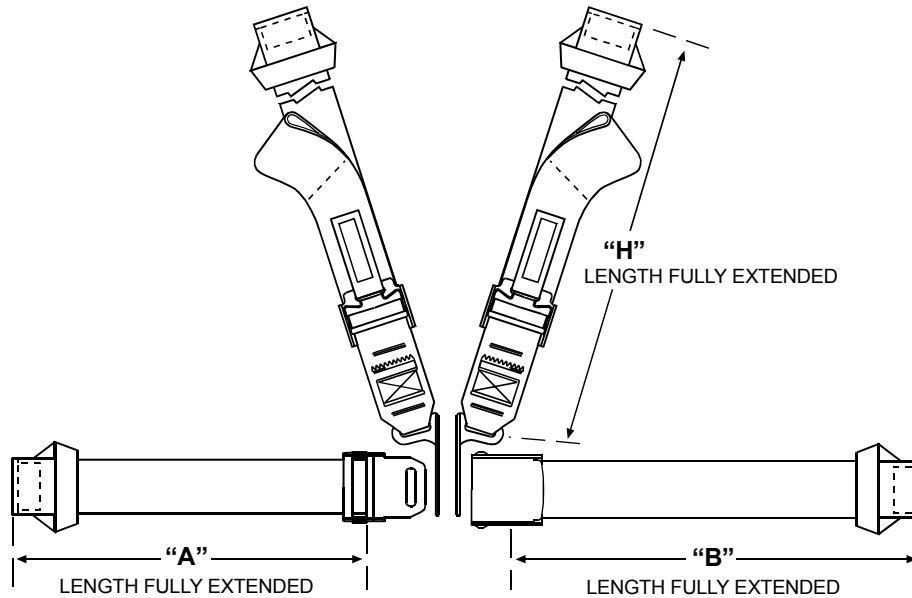
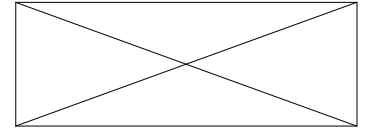


Medical Stretcher Restraint



Buckle Codes		
Code	P/N	Description
A	1A	35° Alum. Lift
B	1B	35° S.S. Lift
E	1E	90° Alum. Lift
F	1F	90° S.S. Lift

Sample Part No.

SUF262640 - 020

The ABI MediBelt Stretcher Restraint system addresses the problem of contaminated stretcher restraint webbing in air medical transport. By using MediBelt, a medical member can replace a soiled restraint in less than one minute. Additionally, MediBelt's hardware can be sterilized and the webbing washed.

MediBelt is the only stretcher restraint system without metal end fittings conforming to TSO C22g and C114 standard.

Notes:

1. This restraint use Aircraft Belts hardware only
2. Entire Assembly conforms to TSO C114
3. Webbing meets or exceed the requirements of paragraph 4 of SAE AS 8043
4. Identification labels affixed to each portion of assembly
5. Installation instructions are to accompany each half of restraint
6. Assembly measured from webbing to webbing
7. Dimensional tolerances of each portion of assembly are +/- .5
8. Assembly strength rated at 3000 LBS

Aircraft Belts, Inc.

1176 Telecom Drive

Creedmoor, NC 27522

Phone: 800.847.5651 - Fax 919.956.4220

www.aircraftbelts.com